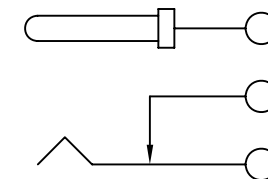
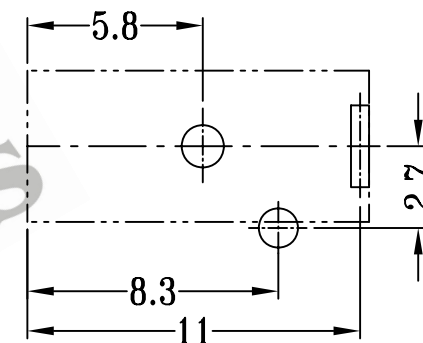
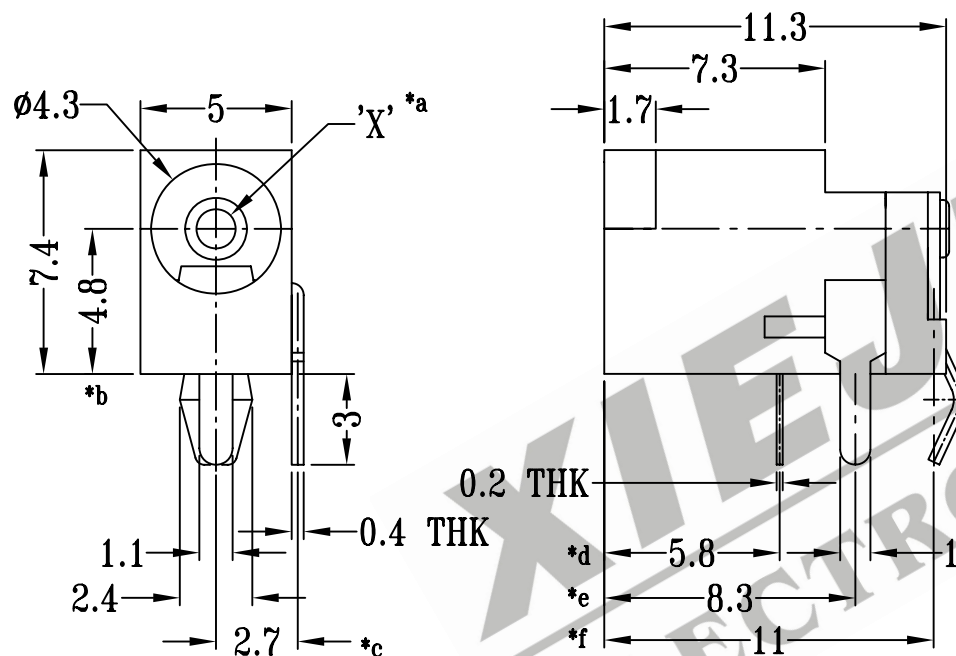


CAD FILE:



**SCHEMATIC**



**P.C.B LAYOUT**

DIA. OF PIN 'X' D=1.3mm  
 DIA. OF PIN 'X' E=1.0mm  
 DIA. OF PIN 'X' C=1.35mm

注:带"\*"表示关键尺寸(6个)

8					TOLERANCE UNLESS SPECIFIED	SHENZHEN XIEJIA ELECTRONICS CO.,LTD.				
7										
6	PLUG PIN	BRASS	1	Ni PLATED	WITHIN: 1.5±0.1mm OVER: 1.5±0.2mm	ISSUE	DATE	DESCRIPTIONS OF REVISION		APPD.
5	CONTACT	BRASS STRIP	1	Ag PLATED OVER Ni PLATED						
4	TERMINAL	BRASS STRIP	1	Ag PLATED OVER Ni PLATED	TITLE : DC POWER JACK	UNIT : mm	DRWG NO.: XJ-DR-DS222-00			
3	SPRING TERMINAL	STAINLESS STRIP	1	Ag PLATED OVER Ni PLATED						
2	COVER	POM	1	BLACK	MODEL: DS-222	SCALE: 4:1	DWN.	ZHOUYU	2005-11-27	
1	CASE	POM	1	BLACK			CHK'D	FANGYING	2005-11-27	
NO.	PARTS	MATERIALS	Q'TY	FINISH	ALL MATERIALS MUST BE COMPLIANT TO ROHS		APPD.	KANGXINAN	2005-11-27	